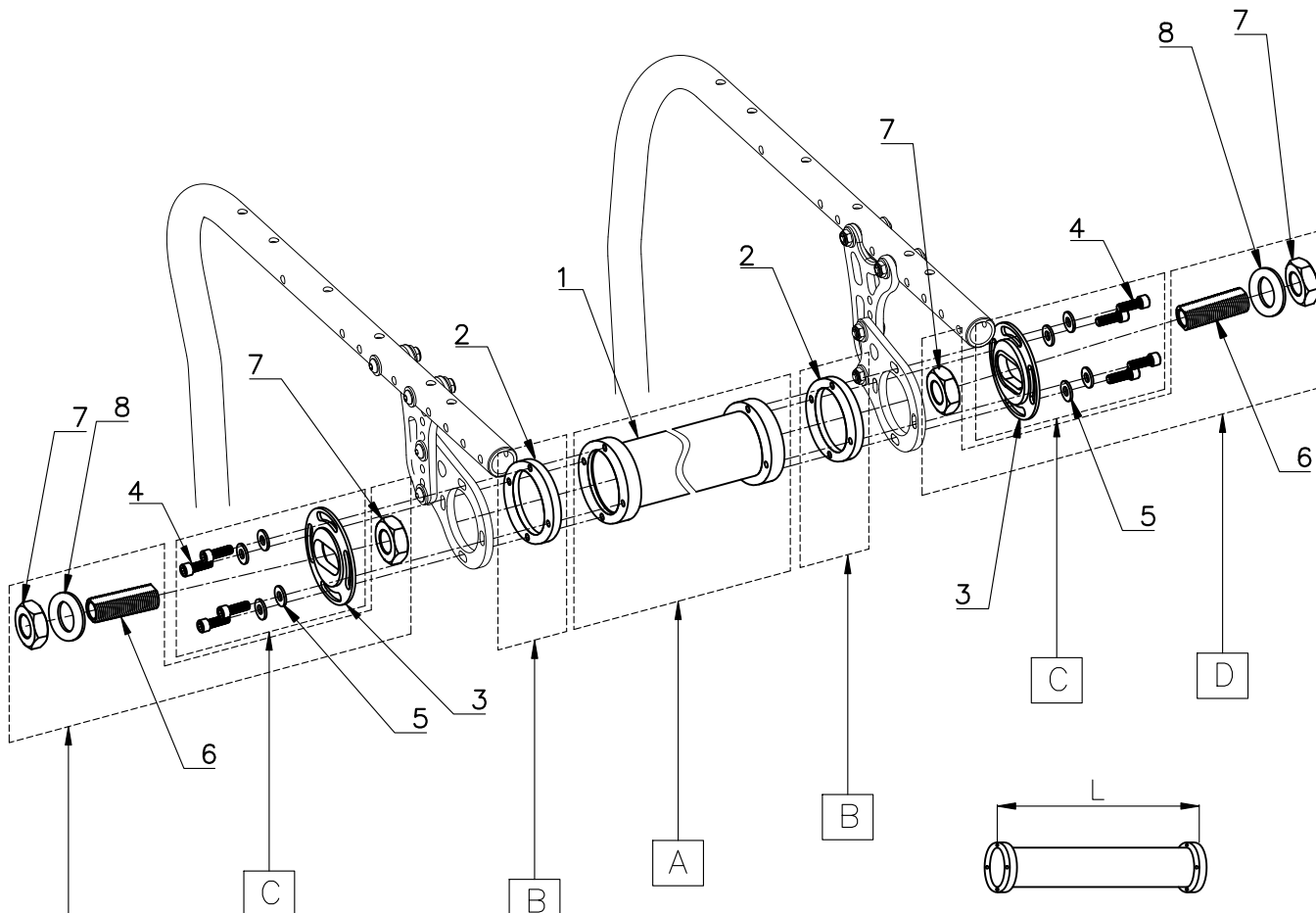


| Pos. | Item NO. | Description | # | Parts NO. | Qty | Color | Remarks |
|------|-----------|--|----|--------------|-----|-------|---------|
| A | ****_**** | STD Frame Kit | 1 | 00-10-002-1 | 1 | * | Left |
| | | | 2 | 00-10-002-2 | 1 | * | Right |
| | | | 3 | 0283-300 | 2 | Blk | |
| | | | 9 | 0170-405-L/H | 1 | * | Welded |
| | | | | 0170-405-R/H | 1 | * | Welded |
| B | ****_**** | Stabilizer Kit For STD Frame *18" or 19" Seat Width, Requires two Stabilizers | 4 | 0475-204 | 1 | Blk | W=14" |
| | | | | 0475-205 | 1 | Blk | W=15" |
| | | | | 0475-206 | 1 | Blk | W=16" |
| | | | | 0475-207 | 1 | Blk | W=17" |
| | | | | 0475-208 | 2 | Blk | W=18" |
| | | | | 0475-209 | 2 | Blk | W=19" |
| | | | 5 | 0313-300 | 2 | Sil | |
| | | | 6 | 0277-300 | 2 | Sil | |
| | | | 10 | 0313-300 | 2 | Sil | |
| | | | 11 | 0277-300 | 2 | Sil | |

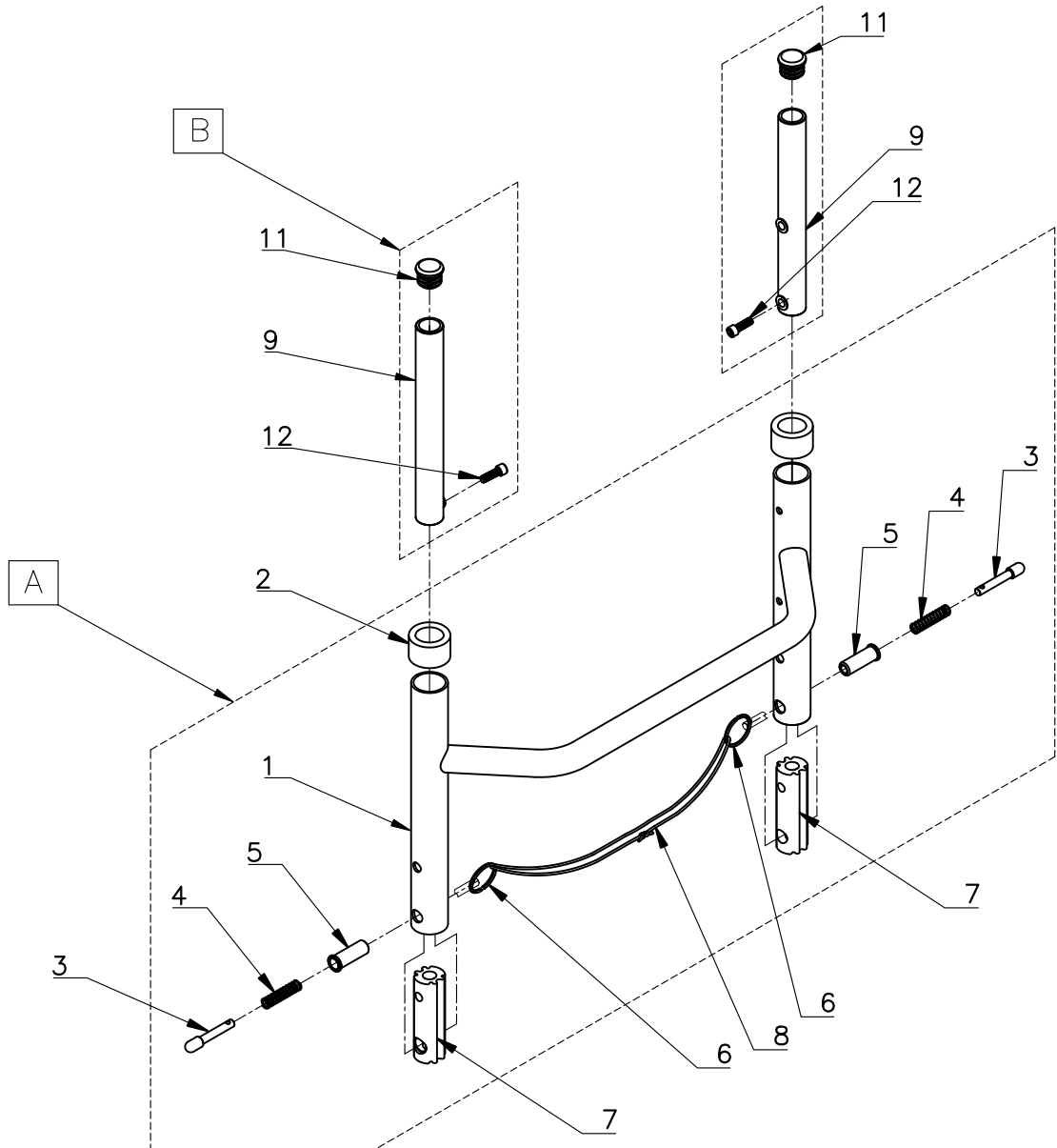
| Pos. | Item NO. | Description | # | Parts NO. | Qty | Color | Remarks | |
|------|-----------|----------------------------------|---|--------------|-----|-------|---------|--|
| C | ****_**** | Long Frame Kit | 7 | 00-10-003-1 | 1 | * | Left | |
| | | | 8 | 00-10-003-2 | 1 | * | Right | |
| | | | 3 | 0548-300 | 2 | Blk | | |
| | | | 9 | 0170-405-L/H | 1 | * | Welded | |
| | | | | 0170-405-R/H | 1 | * | Welded | |
| D | ****_**** | Stabilizer Kit For Long Frame | 4 | 0475-204 | 2 | Blk | W=14" | |
| | | | | 0475-205 | 2 | Blk | W=15" | |
| | | | | 0475-206 | 2 | Blk | W=16" | |
| | | | | 0475-207 | 2 | Blk | W=17" | |
| | | | | 0475-208 | 2 | Blk | W=18" | |
| | | | | 0475-209 | 2 | Blk | W=19" | |
| | | | 5 | 0313-300 | 4 | Sil | | |
| | | | 6 | 0277-300 | 4 | Sil | | |
| | | | | | | | | |
| | | | | | | | | |



| INSIDE | | OUTSIDE | |
|------------------|-------|------------------|-------|
| Axle Tube Length | | Axle Tube Length | |
| Seat Width | L | Seat Width | L |
| 14" | 10.7" | 14" | 12.7" |
| 15" | 11.7" | 15" | 13.7" |
| 16" | 12.7" | 16" | 14.7" |
| 17" | 13.7" | 17" | 15.7" |
| 18" | 14.7" | 18" | 16.7" |
| 19" | 15.7" | 19" | 17.7" |

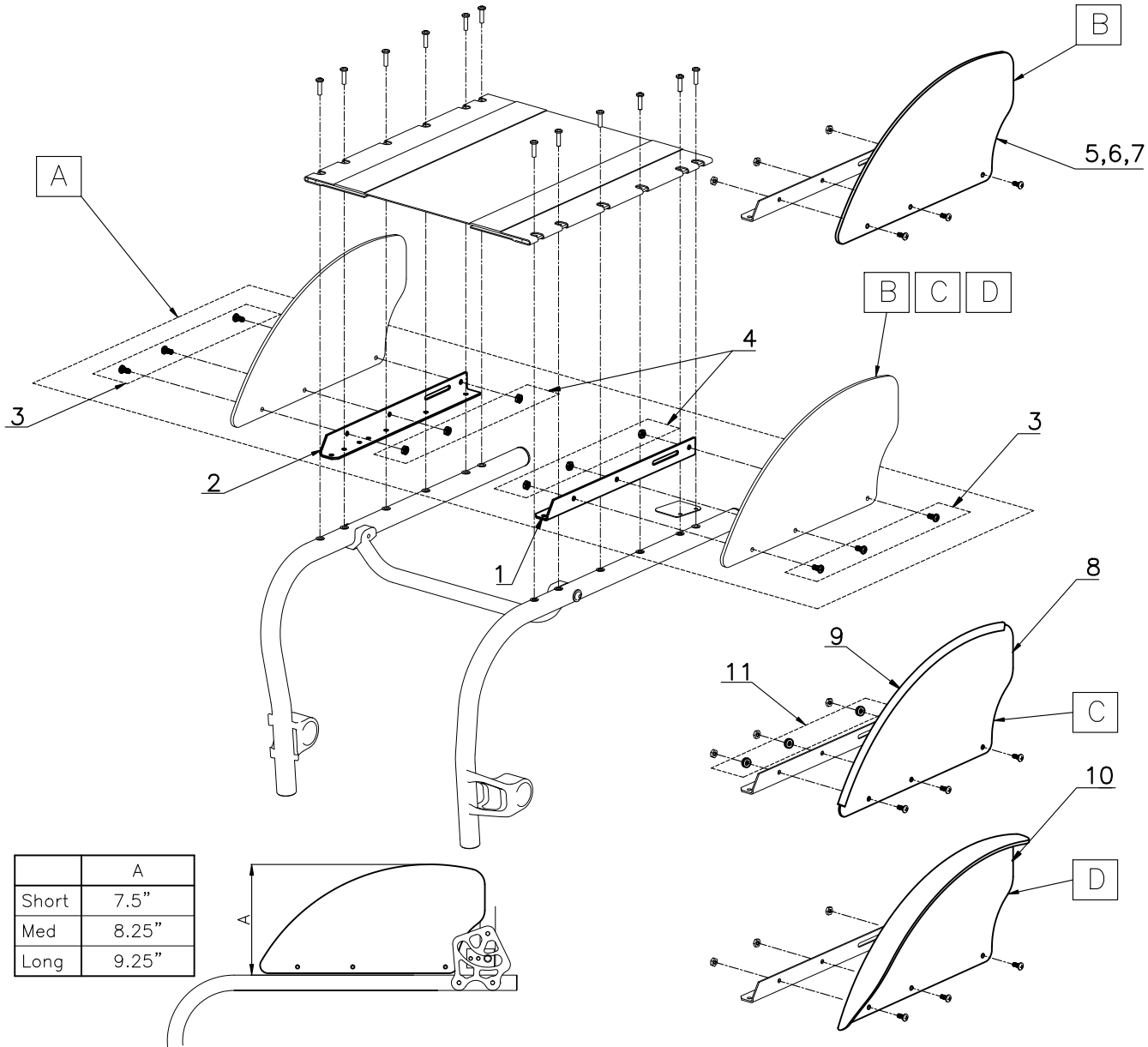
| Pos. | Item NO. | Description | # | Parts NO. | Qty | Color | Remarks |
|------|----------|-----------------|-----|-----------|-----|-------|---------|
| A | ****_*** | Axle Tube | 1 | 0440-303 | 1 | Blk | W=14" |
| | | | | 0440-304 | 1 | Blk | W=15" |
| | | | | 0440-305 | 1 | Blk | W=16" |
| | | | | 0440-306 | 1 | Blk | W=17" |
| | | | | 0440-307 | 1 | Blk | W=18" |
| | | | | 0440-308 | 1 | Blk | W=19" |
| B | ****_*** | Axle Spacer Kit | 2 | 0214-380 | 2 | Blk | |
| | | | | | | | |
| C | ****_*** | Axle Plate Kit | 3 | | | | |
| | | | | 0214-316 | 2 | Blk | 2" |
| | | | | 0214-318 | 2 | Blk | 4" |
| | | | | | | | |
| 4 | 0541-300 | 8 | Sil | | | | |

| Pos. | Item NO. | Description | # | Parts NO. | Qty | Color | Remarks |
|------|----------|------------------|---|-----------|-----|-------|------------|
| C | | | 5 | 0277-300 | 8 | Sil | |
| D | ****_*** | Axle Reciver Kit | 6 | 0011-300 | 2 | Sil | Std L=2.1" |
| | | | | 0011-301 | 2 | Sil | Log L=3.0" |
| | | | 7 | 0124-300 | 4 | Sil | |
| | | | 8 | 0125-300 | 2 | Sil | |



| Pos. | Item NO. | Description | # | Parts NO. | Qty | Color | Remarks |
|------|----------|--------------|-----|-----------|-----|-------|---------|
| A | ****_*** | Backrest Kit | 1 | 0473-304 | 1 | Blk | W=14" |
| | | | | 0473-305 | 1 | Blk | W=15" |
| | | | | 0473-306 | 1 | Blk | W=16" |
| | | | | 0473-307 | 1 | Blk | W=17" |
| | | | | 0473-308 | 1 | Blk | W=18" |
| | | | | 0473-309 | 1 | Blk | W=19" |
| | | | 2 | 0082-300 | 2 | Blk | |
| | | | 3 | 0476-300 | 2 | Sil | |
| | | | 4 | 0478-110 | 2 | Sil | |
| 5 | 0478-400 | 2 | Sil | | | | |
| 6 | 0478-130 | 2 | Sil | | | | |
| 7 | 0473-100 | 2 | Sil | | | | |
| 8 | 0294-306 | 1 | Blk | | | | |

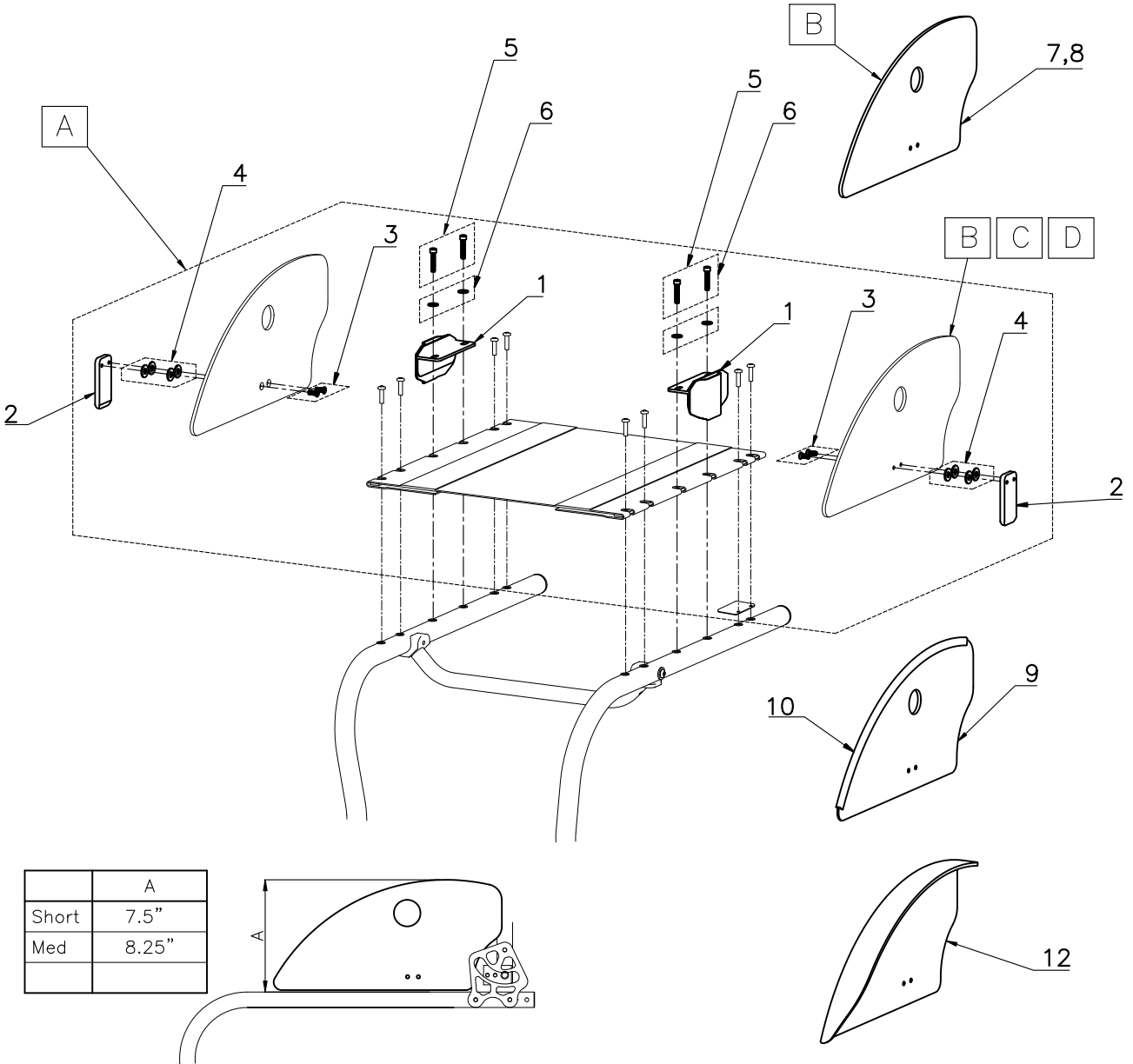
| Pos. | Item NO. | Description | # | Parts NO. | Qty | Color | Remarks |
|------|----------|----------------------|---|-----------|----------|-------|----------|
| B | ****_*** | Telescoping Tube Kit | 9 | 0038-300 | 2 | Blk | H=9-12" |
| | | | | 0038-301 | | | H=13-15" |
| | | | | 0038-302 | | | H=16" |
| | | | | 0038-303 | | | H=17" |
| | | | | 0038-304 | | | H=18" |
| | | | | 0038-305 | | | H=19" |
| | | | | 0038-306 | | | H=20" |
| | | | | 0038-307 | | | H=21" |
| | | | | 11 | 0077-300 | 2 | Blk |
| | 12 | 0261-300 | 2 | Sil | | | |



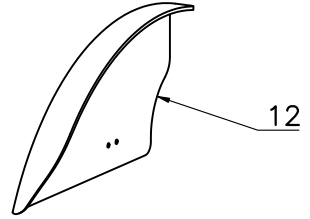
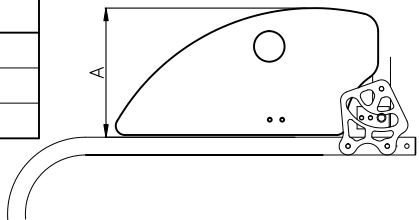
| | A |
|-------|-------|
| Short | 7.5" |
| Med | 8.25" |
| Long | 9.25" |

| Pos. | Item NO. | Description | # | Parts NO. | Qty | Color | Remarks |
|------|-----------|-----------------------------|------------|------------|-----|--------|---------|
| A | ****-**** | Side Guard Rail Kit | 1 | 0093-309 | 1 | Blk | Left |
| | | | 2 | 0093-310 | 1 | Blk | Right |
| | | | 3 | 0103-300 | 6 | Sil | |
| | | | 4 | 0105-300 | 6 | Sil | |
| B | ****-**** | Rigid Side Guard ABS Kit | 5 | 0093-302-L | 1 | Blk | L/Short |
| | | | | 0093-302-R | 1 | Blk | R/Short |
| | | | 6 | 0093-303-L | 1 | Blk | L/Med |
| | | | | 0093-303-R | 1 | Blk | R/Med |
| | | | 7 | 0093-304-L | 1 | Blk | L/Long |
| | | | 0093-304-R | 1 | Blk | R/Long | |

| Pos. | Item NO. | Description | # | Parts NO. | Qty | Color | Remarks |
|------|-----------|--|----|-----------|-----|-------|---------|
| C | ****-**** | Rigid Side Guard Aluminum Kit | 8 | 0093-410 | 2 | Blk | Med |
| | | | | 0093-400 | 2 | Pol | Med |
| | | | 11 | 0105-300 | 6 | Sil | |
| | | | | | | | |
| D | ****-**** | Rigid Side Guard ABS Kit With Fender (Costam Shapes) | 9 | 0451-200 | 2 | Blk | |
| | | | 10 | - | 1 | Blk | Left |
| | | | | - | 1 | Blk | Right |

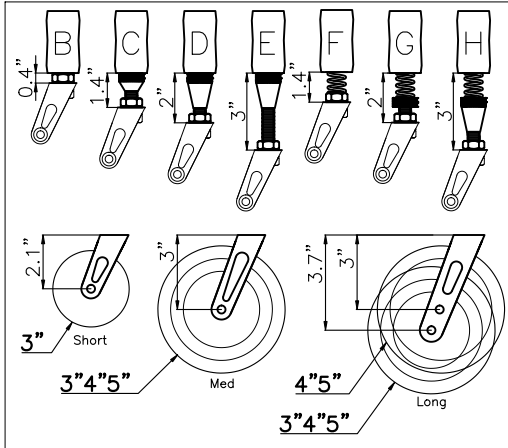
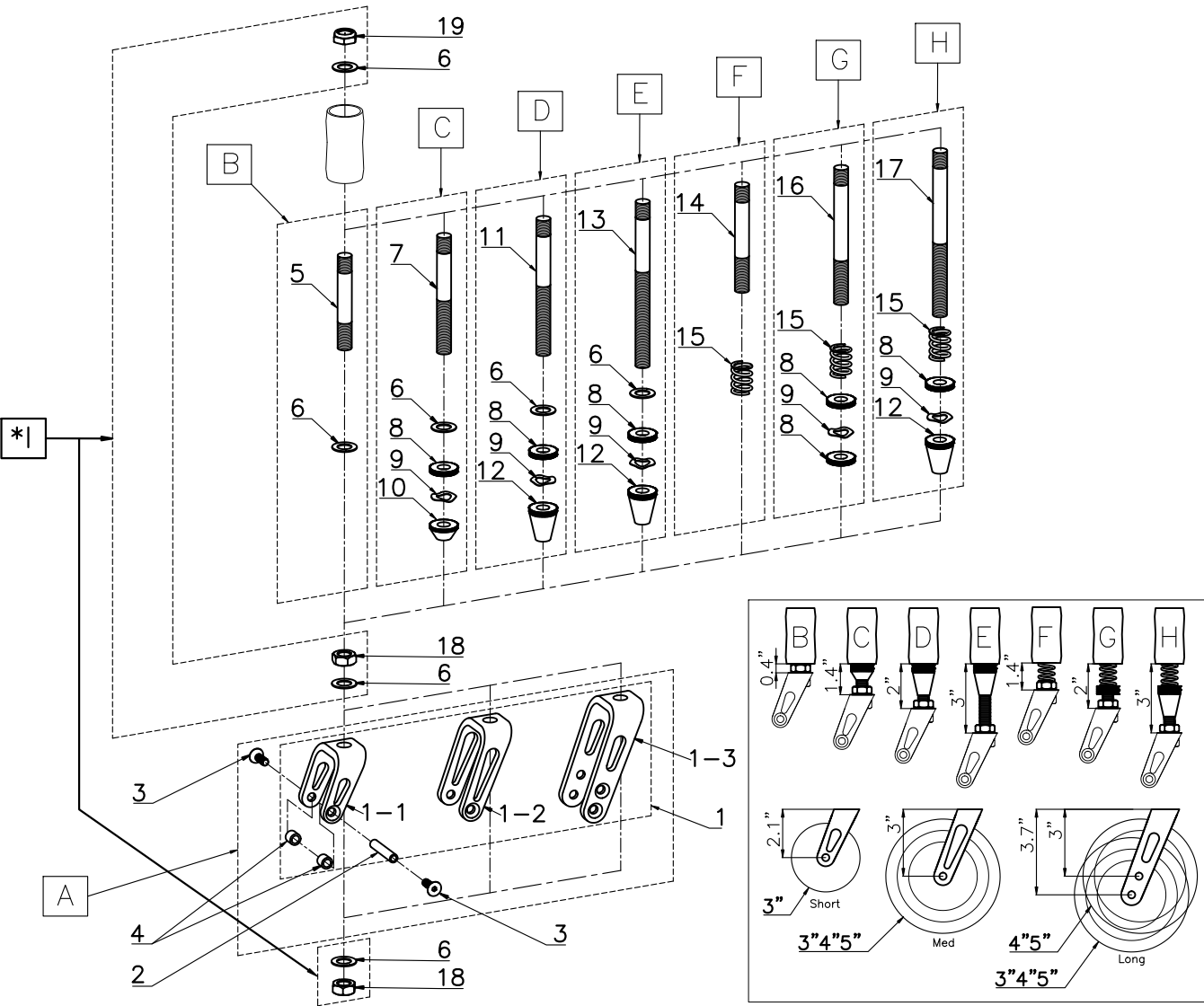


| | A |
|-------|-------|
| Short | 7.5" |
| Med | 8.25" |



| Pos. | Item NO. | Description | # | Parts NO. | Qty | Color | Remarks |
|------|-----------|-----------------------------------|---|------------|-----|-------|---------|
| A | ****_**** | Removavle Side Guard Receiver Kit | 1 | 0458-100 | 2 | Blk | |
| | | | 2 | 0458-120 | 2 | Blk | |
| | | | 3 | 0505-300 | 4 | Sil | |
| | | | 4 | 0318-307 | 8 | Sil | |
| | | | 5 | 0262-300 | 4 | Sil | |
| | | | 6 | 0318-307 | 4 | Sil | |
| B | ****_**** | Removable Side Guard ABS Kit | 7 | 0458-300-L | 1 | Blk | L:short |
| | | | | 0458-300-R | 1 | Blk | R:short |
| | | | 8 | 0458-301-L | 1 | Blk | L:Med |
| | | | | 0458-301-R | 1 | Blk | R:Med |
| | | | | | | | |

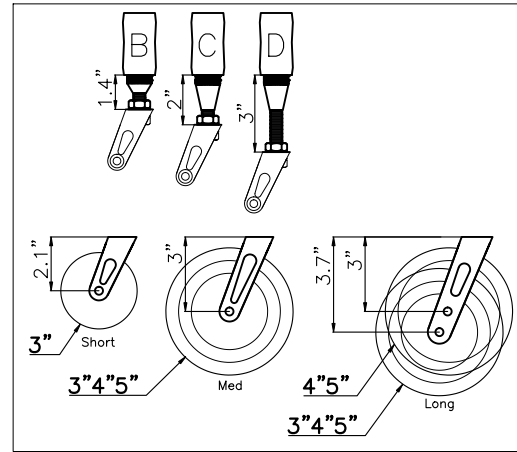
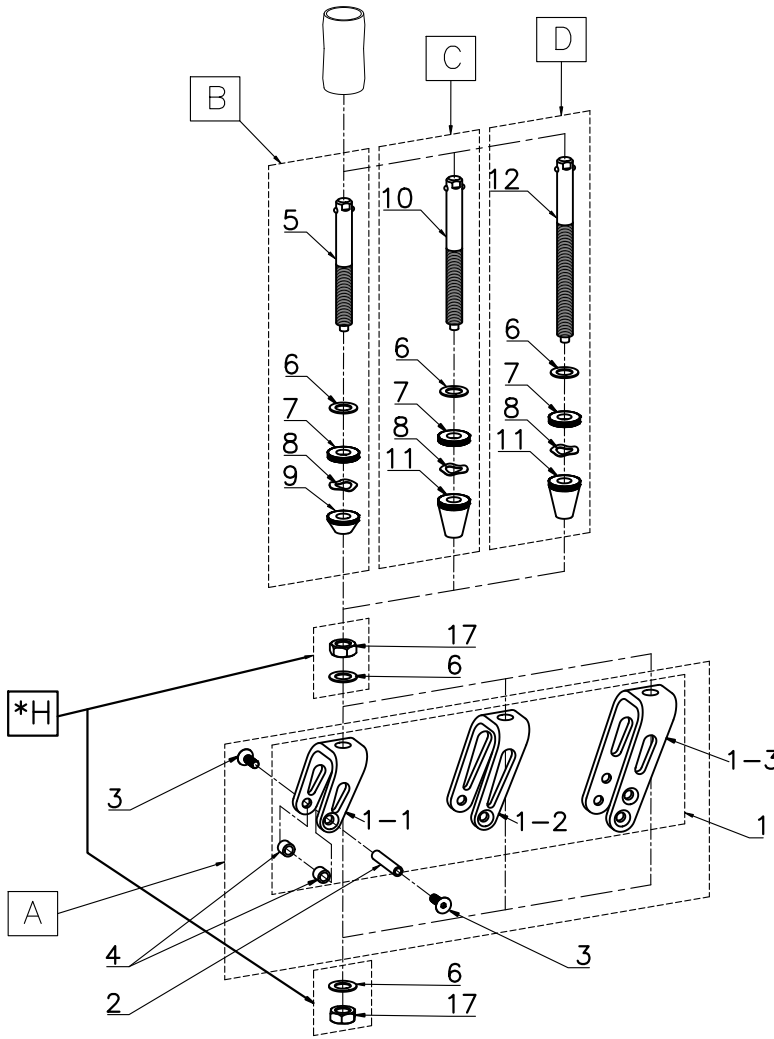
| Pos. | Item NO. | Description | # | Parts NO. | Qty | Color | Remarks |
|------|-----------|--|----|-----------|-----|-------|---------|
| C | ****_**** | Removable Side Guard Aluminum Kit | 9 | 0458-400 | 2 | * | Med |
| | | | 10 | 0451-200 | 2 | Blk | |
| D | ****_**** | Removable Side Guard ABS Kit With Fender (Costam Shapes) | 11 | - | 1 | Blk | Left |
| | | | | - | 1 | Blk | Right |



*Group I is included in B~H.

| Pos. | Item NO. | Description | # | Parts NO. | Qty | Color | Remarks |
|------|----------|------------------------------------|-----|-----------|-----|-------|---------|
| A | ****_*** | Fork Kit | 1-1 | 0307-400 | 2 | Blk | Short |
| | | | 1-2 | 0307-401 | 2 | Blk | Med |
| | | | 1-3 | 0307-403 | 2 | Blk | Long |
| | | | 2 | 0605-300 | 2 | Sil | |
| | | | 3 | 0620-400 | 4 | Sil | |
| | | | 4 | 0257-300 | 4 | * | |
| B | ****_*** | Caster Stud 3.5" Kit | 5 | 0408-303 | 2 | Blk | 3.5" |
| | | | 6 | 0119-300 | 2 | Sil | |
| C | ****_*** | Caster Stud 4.4" Kit | 7 | 0408-300 | 2 | Blk | 4.4" |
| | | | 6 | 0119-300 | 2 | Sil | |
| | | | 8 | 0122-300 | 2 | Blk | |
| | | | 9 | 0120-300 | 2 | Sil | |
| D | ****_*** | Caster Stud 5.1" Kit | 11 | 0408-301 | 2 | Blk | 5.1" |
| | | | 6 | 0119-300 | 2 | Sil | |
| | | | 8 | 0122-300 | 2 | Blk | |
| | | | 9 | 0120-300 | 2 | Sil | |
| E | ****_*** | Caster Stud 6.2" Kit | 13 | 0408-302 | 2 | Sil | 6.2" |
| | | | 6 | 0119-300 | 2 | Sil | |
| | | | 8 | 0122-300 | 2 | Blk | |
| | | | 9 | 0120-300 | 2 | Sil | |
| F | ****_*** | Caster Stud 4" W/Suspension Kit | 14 | 0408-304 | 2 | Sil | 4" |
| | | | 15 | 0176-300 | 2 | Sil | |
| | | | 8 | 0122-300 | 4 | Blk | |
| | | | 9 | 0120-300 | 2 | Sil | |
| G | ****_*** | Caster Stud 5.1" W/Suspension Kit | 16 | 0408-305 | 2 | Sil | 5.1" |
| | | | 15 | 0176-300 | 2 | Sil | |
| | | | 8 | 0122-300 | 4 | Blk | |
| | | | 9 | 0120-300 | 2 | Sil | |
| H | ****_*** | Caster Stud 6.2" W/Suspension Kit | 17 | 0408-306 | 2 | Sil | 6.2" |
| | | | 8 | 0122-300 | 2 | Blk | |
| | | | 9 | 0120-300 | 2 | Sil | |
| | | | 12 | 0123-300 | 2 | Blk | |
| I | | Nut & Washer (Included in B~H.) | 6 | 0119-300 | 6 | Sil | |
| | | | 18 | 0121-300 | 4 | Sil | |
| | | | 19 | 0260-300 | 2 | Sil | |

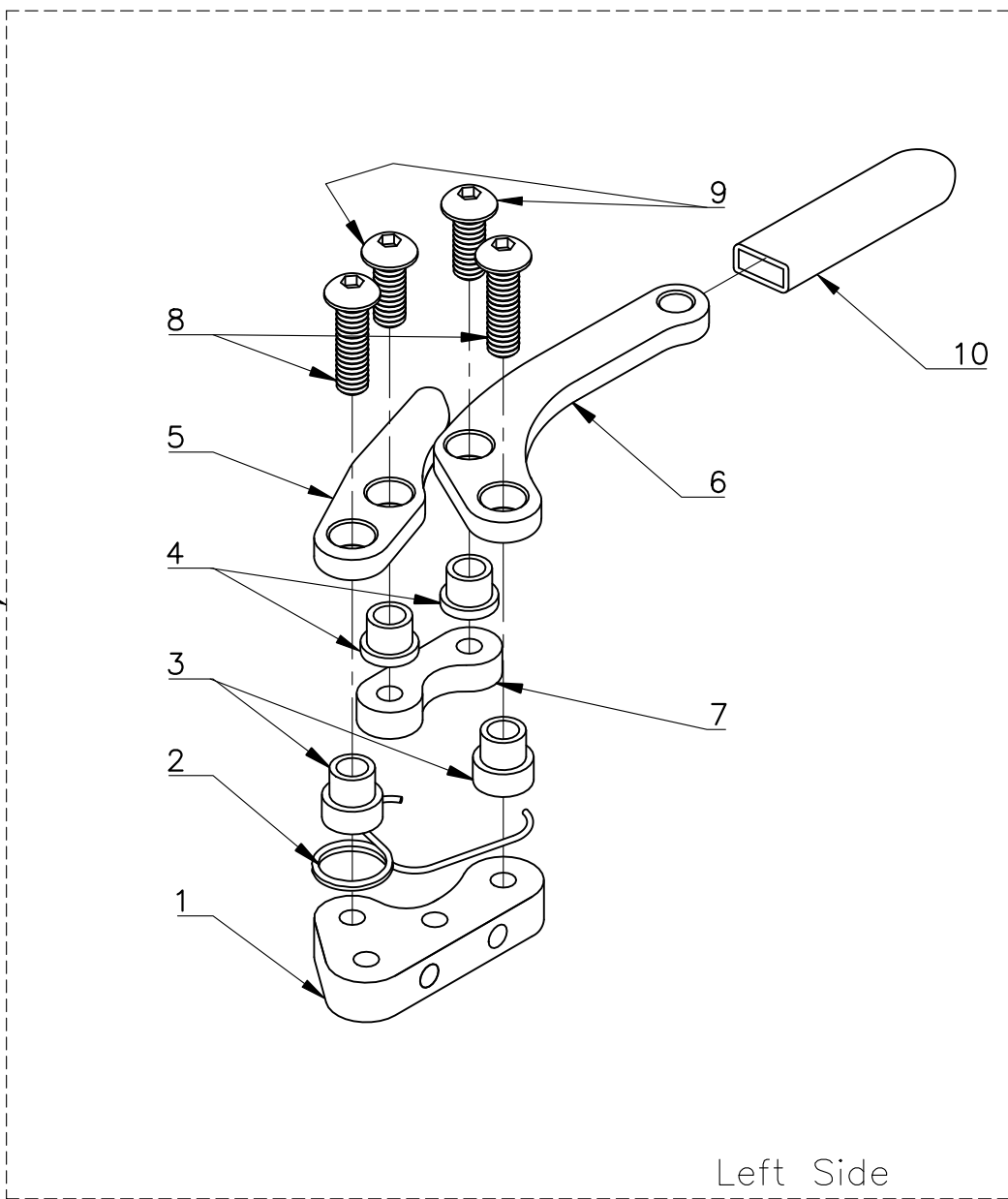
| Pos. | Item NO. | Description | # | Parts NO. | Qty | Color | Remarks |
|------|----------|------------------------------------|----|-----------|-----|-------|---------|
| E | ****_*** | Caster Stud 6.2" Kit | 13 | 0408-302 | 2 | Sil | 6.2" |
| | | | 6 | 0119-300 | 2 | Sil | |
| | | | 8 | 0122-300 | 2 | Blk | |
| | | | 9 | 0120-300 | 2 | Sil | |
| | | | 12 | 0123-300 | 2 | Blk | |
| | | | 15 | 0176-300 | 2 | Sil | |
| F | ****_*** | Caster Stud 4" W/Suspension Kit | 14 | 0408-304 | 2 | Sil | 4" |
| | | | 15 | 0176-300 | 2 | Sil | |
| G | ****_*** | Caster Stud 5.1" W/Suspension Kit | 16 | 0408-305 | 2 | Sil | 5.1" |
| | | | 15 | 0176-300 | 2 | Sil | |
| | | | 8 | 0122-300 | 4 | Blk | |
| | | | 9 | 0120-300 | 2 | Sil | |
| H | ****_*** | Caster Stud 6.2" W/Suspension Kit | 17 | 0408-306 | 2 | Sil | 6.2" |
| | | | 8 | 0122-300 | 2 | Blk | |
| | | | 9 | 0120-300 | 2 | Sil | |
| | | | 12 | 0123-300 | 2 | Blk | |
| I | | Nut & Washer (Included in B~H.) | 6 | 0119-300 | 6 | Sil | |
| | | | 18 | 0121-300 | 4 | Sil | |
| | | | 19 | 0260-300 | 2 | Sil | |



*Group **H** is included in B~G.

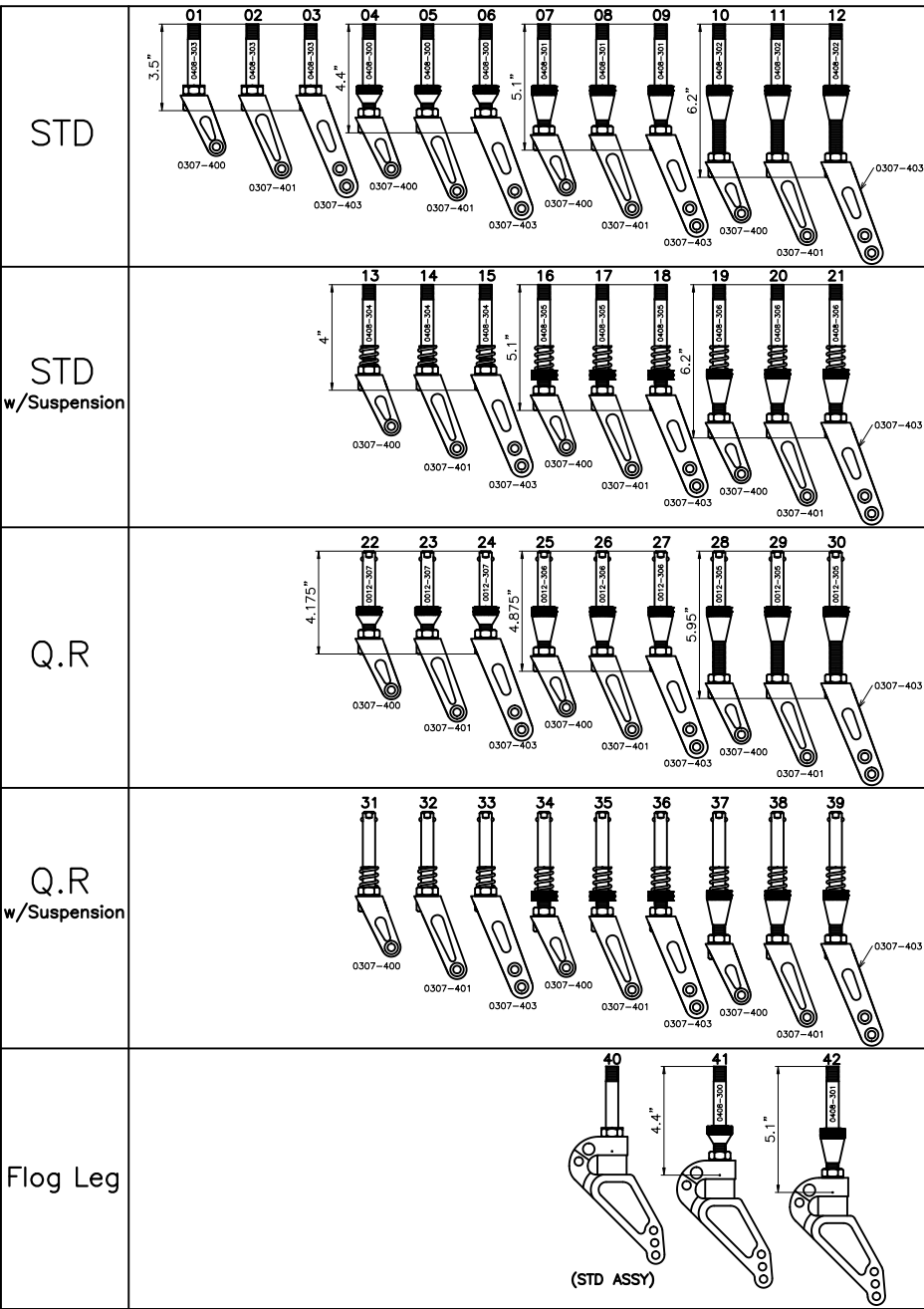
| Pos. | Item NO. | Description | # | Parts NO. | Qty | Color | Remarks | Pos. | Item NO. | Description | # | Parts NO. | Qty | Color | Remarks |
|------|----------|---|-----|-----------|-----|-------|---------|------|------------------------------------|--|----------|-----------|-----|-------|---------|
| A | ****_*** | Fork Kit | 1-1 | 0307-400 | 2 | Blk | Short | D | ****_*** | Caster Stud 5.95" W/Quick Release Kit | 12 | 0012-305 | 2 | Blk | 5.95" |
| | | | 1-2 | 0307-401 | 2 | Blk | Med | | | | 6 | 0119-300 | 2 | Sil | |
| | | | 1-3 | 0307-403 | 2 | Blk | Long | | | | 7 | 0122-300 | 2 | Blk | |
| | | | 2 | 0605-300 | 2 | Sil | | | | | 8 | 0120-300 | 2 | Sil | |
| | | | 3 | 0620-400 | 4 | Sil | | | | | 11 | 0123-300 | 2 | Blk | |
| | | | 4 | 0257-300 | 4 | * | | | 17 | 0121-300 | 4 | Sil | | | |
| B | ****_*** | Caster Stud 4.175" W/Quick Release Kit | 5 | 0012-307 | 2 | Blk | 4.175" | H | Nut & Washer (Included in B~G.) | 6 | 0119-300 | 4 | Sil | | |
| | | | 6 | 0119-300 | 2 | Sil | | 17 | | 0121-300 | 4 | Sil | | | |
| | | | 7 | 0122-300 | 2 | Blk | | | | | | | | | |
| | | | 8 | 0120-300 | 2 | Sil | | | | | | | | | |
| | | | 9 | 0123-400 | 2 | Blk | | | | | | | | | |
| C | ****_*** | Caster Stud 4.875" W/Quick Release Kit | 10 | 0012-306 | 2 | Blk | 4.875" | | | | | | | | |
| | | | 6 | 0119-300 | 2 | Sil | | | | | | | | | |
| | | | 7 | 0122-300 | 2 | Blk | | | | | | | | | |
| | | | 8 | 0120-300 | 2 | Sil | | | | | | | | | |
| | | | 11 | 0123-300 | 2 | Blk | | | | | | | | | |

A
B



| Pos. | Item NO. | Description | # | Parts NO. | Qty | Color | Remarks | Pos. | Item NO. | Description | # | Parts NO. | Qty | Color | Remarks |
|------|-----------|----------------------------------|----|-------------|-----|-------|---------|------|----------|-------------|---|-----------|-----|-------|---------|
| A | ****_**** | Wheel Lock Compact Scissor Left | 1 | 10-10-004-0 | 1 | Blk | | | | | | | | | |
| | | | 2 | 10-10-006-1 | 1 | Sil | Left | | | | | | | | |
| | | | 3 | 10-10-007-0 | 2 | Sil | | | | | | | | | |
| | | | 4 | 10-10-008-0 | 2 | Sil | | | | | | | | | |
| | | | 5 | 10-10-002-0 | 1 | Blk | | | | | | | | | |
| | | | 6 | 10-10-001-0 | 1 | Blk | | | | | | | | | |
| | | | 7 | 10-10-003-0 | 1 | Blk | | | | | | | | | |
| | | | 8 | 0541-310 | 2 | Sil | | | | | | | | | |
| | | | 9 | 0541-315 | 2 | Sil | | | | | | | | | |
| | | | 10 | 0290-300 | 1 | Blk | | | | | | | | | |
| B | ****_**** | Wheel Lock Compact Scissor Right | 1 | 10-10-004-0 | 1 | Blk | | | | | | | | | |
| | | | 2 | 10-10-006-2 | 1 | Sil | Right | | | | | | | | |
| | | | 3 | 10-10-007-0 | 2 | Sil | | | | | | | | | |
| | | | 4 | 10-10-008-0 | 2 | Sil | | | | | | | | | |
| | | | 5 | 10-10-002-0 | 1 | Blk | | | | | | | | | |

Caster and Fork Matrix For SABER



| | | Caster | | | | | | | | |
|-------------------|-------|---------------------------------|---|---|---|---|---------------------------------|-------------------|-------------------|-------------------|
| | | 3" | 4" | 5" | 3" Suspension | 4" Suspension | 5" Suspension | 3" Flog Leg | 4" Flog Leg | 5" Flog Leg |
| Front Seat Height | 16.5" | STD 02 Q.R. | STD 02 Q.R. | STD / | STD 13 Q.R. | STD / | STD / | / | / | / |
| | 17" | STD 05 Q.R. | STD 03 Lower hole 23 Q.R. | STD 02 Q.R. | STD 14 Q.R. | STD / | STD / | / | / | / |
| | 17.5" | STD 05 Q.R. | STD 05 Q.R. | STD 02 Q.R. | STD 15 Lower hole 33 Lower hole Q.R. | STD 14 Q.R. | STD / | 40 Middle hole | 40 Upper hole | / |
| | 18" | STD 06 Lower hole Q.R. | STD 08 26 Q.R. | STD 03 Q.R. | STD 17 35 Q.R. | STD 15 Lower hole 33 Lower hole Q.R. | STD 15 Upper hole Q.R. | 40 Lower hole | 40 Middle hole | / |
| | 18.5" | STD 09 Lower hole Q.R. | STD 09 Upper hole 27 Upper hole Q.R. | STD 06 Lower hole 24 Lower hole Q.R. | STD 18 Lower hole 36 Lower hole Q.R. | STD 18 Upper hole 36 Upper hole Q.R. | STD 18 Upper hole Q.R. | 41 Middle hole | 40 Lower hole | 40 Middle hole |
| | 19" | STD 11 Q.R. | STD 11 27 Lower hole Q.R. | STD 09 Upper hole 24 Lower hole Q.R. | STD 20 38 Q.R. | STD 18 Lower hole 36 Lower hole Q.R. | STD 18 Upper hole Q.R. | 41 Lower hole | 41 Middle hole | 40 Lower hole |
| | 19.5" | STD 12 Lower hole Q.R. | STD 12 Upper hole 30 Upper hole Q.R. | STD 09 Lower hole 27 Lower hole Q.R. | STD 21 Lower hole 39 Lower hole Q.R. | STD 21 Upper hole 39 Upper hole Q.R. | STD 21 Upper hole Q.R. | 42 Lower hole | 41 Lower hole | 41 Middle hole |
| | 20" | STD / | STD 12 Lower hole Q.R. | STD 12 Upper hole Q.R. | STD / | STD 21 Lower hole 39 Lower hole Q.R. | STD 21 Upper hole Q.R. | / | 42 Lower hole | 41 Lower hole |
| | 20.5" | STD / | STD / | STD 12 Lower hole Q.R. | STD / | STD / | STD 21 Lower hole Q.R. | / | / | 42 Lower hole |

Axle Plate Position Matrix For SABER

| Frame Size | | STD Frame (Camber 2° ,4°) /Center of Gravity 1"-2.5" | | | | | | | | | | | | | | | | | | | | | | | |
|------------------|------|---|--------|--------|-----|---------------------------------|--------|--------|-----|----------------|--------|--------|-----|-----------------------|--------|--------|-----|-------------------|--------|--------|-----|-------------------------|--------|--------|-----|
| Tire Size | | 24"x1"(High Pressure) | | | | 24"x1-3/8(Low-P), 25"x1(High-P) | | | | 24"x2"(Knobby) | | | | 26"x1"(High Pressure) | | | | 25"x1.95"(Knobby) | | | | 26"x1-3/8(Low-Pressure) | | | |
| Seat bucket | | 0-0.5" | 1-1.5" | 2-2.5" | 3"- | 0-0.5" | 1-1.5" | 2-2.5" | 3"- | 0-0.5" | 1-1.5" | 2-2.5" | 3"- | 0-0.5" | 1-1.5" | 2-2.5" | 3"- | 0-0.5" | 1-1.5" | 2-2.5" | 3"- | 0-0.5" | 1-1.5" | 2-2.5" | 3"- |
| Rear Seat Height | 14.5 | 1 | 1 | 2 | 2 | | | 1 | 1 | | | 1 | 1 | | | | | | | | | | | | |
| | 15 | 2 | 2 | 3 | 3 | 1 | 1 | 2 | 2 | 1 | 1 | 2 | 2 | | | | | | | | | | | | |
| | 15.5 | 3 | 3 | 4 | 4 | 2 | 2 | 3 | 3 | 2 | 2 | 3 | 3 | 1 | 1 | 2 | 2 | 1 | 1 | 2 | 2 | 1 | 1 | 2 | 2 |
| | 16 | 4 | 4 | 5 | 5 | 3 | 3 | 4 | 4 | 3 | 3 | 4 | 4 | 2 | 2 | 3 | 3 | 2 | 2 | 3 | 3 | 2 | 2 | 3 | 3 |
| | 16.5 | 5 | 5 | 7 | 7 | 4 | 4 | 5 | 5 | 4 | 4 | 5 | 5 | 3 | 3 | 4 | 4 | 3 | 3 | 4 | 4 | 3 | 3 | 4 | 4 |
| | 17 | 7 | 7 | 8 | 8 | 5 | 5 | 7 | 7 | 5 | 5 | 7 | 7 | 4 | 4 | 5 | 5 | 4 | 4 | 5 | 5 | 4 | 4 | 5 | 5 |
| | 17.5 | 8 | 8 | 9 | 9 | 7 | 7 | 8 | 8 | 7 | 7 | 8 | 8 | 5 | 5 | 6 | 6 | 5 | 5 | 6 | 6 | 5 | 5 | 6 | 6 |
| | 18 | 9 | 9 | 10 | 10 | 8 | 8 | 9 | 9 | 8 | 8 | 9 | 9 | 6 | 6 | 7 | 7 | 6 | 6 | 7 | 7 | 6 | 6 | 7 | 7 |
| | 18.5 | 10 | 10 | 11 | 11 | 9 | 9 | 10 | 10 | 9 | 9 | 10 | 10 | 7 | 7 | 8 | 8 | 7 | 7 | 8 | 8 | 7 | 7 | 8 | 8 |
| | 19 | 11 | 11 | | | 10 | 10 | 11 | 11 | 10 | 10 | 11 | 11 | 8 | 8 | 9 | 9 | 8 | 8 | 9 | 9 | 8 | 8 | 9 | 9 |

| Frame Size | | STD Frame(Camber 2° ,4°) /Center of Gravity 3"-5.5" | | | | | | | | | | | | | | | | | | | | | | | |
|------------------|------|--|--------|--------|-----|---------------------------------|--------|--------|-----|----------------|--------|--------|-----|-----------------------|--------|--------|-----|-------------------|--------|--------|-----|-------------------------|--------|--------|-----|
| Tire Size | | 24"x1"(High Pressure) | | | | 24"x1-3/8(Low-P), 25"x1(High-P) | | | | 24"x2"(Knobby) | | | | 26"x1"(High Pressure) | | | | 25"x1.95"(Knobby) | | | | 26"x1-3/8(Low-Pressure) | | | |
| Seat bucket | | 0-0.5" | 1-1.5" | 2-2.5" | 3"- | 0-0.5" | 1-1.5" | 2-2.5" | 3"- | 0-0.5" | 1-1.5" | 2-2.5" | 3"- | 0-0.5" | 1-1.5" | 2-2.5" | 3"- | 0-0.5" | 1-1.5" | 2-2.5" | 3"- | 0-0.5" | 1-1.5" | 2-2.5" | 3"- |
| Rear Seat Height | 14.5 | 1 | 2 | 2 | 3 | 1 | 1 | 2 | 2 | 1 | 1 | 1 | 2 | | | | | | | | | | | | |
| | 15 | 2 | 3 | 3 | 4 | 2 | 2 | 3 | 3 | 2 | 2 | 2 | 3 | 1 | 1 | 1 | 1 | 2 | | | | | | | |
| | 15.5 | 3 | 4 | 4 | 5 | 3 | 3 | 4 | 4 | 3 | 3 | 3 | 4 | 2 | 2 | 2 | 3 | 1 | 1 | 2 | 2 | 1 | 1 | 2 | 2 |
| | 16 | 4 | 5 | 5 | 7 | 4 | 4 | 5 | 5 | 4 | 4 | 5 | 5 | 3 | 3 | 3 | 4 | 2 | 2 | 3 | 3 | 2 | 2 | 3 | 3 |
| | 16.5 | 5 | 7 | 7 | 8 | 5 | 5 | 7 | 7 | 5 | 5 | 5 | 7 | 4 | 4 | 4 | 5 | 3 | 3 | 4 | 4 | 3 | 3 | 4 | 4 |
| | 17 | 7 | 8 | 8 | 9 | 7 | 7 | 8 | 8 | 7 | 7 | 7 | 8 | 5 | 5 | 5 | 7 | 4 | 4 | 5 | 5 | 4 | 4 | 5 | 5 |
| | 17.5 | 8 | 9 | 9 | 10 | 8 | 8 | 9 | 9 | 8 | 8 | 8 | 9 | 7 | 7 | 7 | 8 | 5 | 5 | 7 | 7 | 5 | 5 | 7 | 7 |
| | 18 | 9 | 10 | 10 | 11 | 9 | 9 | 10 | 10 | 9 | 9 | 9 | 10 | 8 | 8 | 8 | 9 | 7 | 7 | 8 | 8 | 7 | 7 | 8 | 8 |
| | 18.5 | 10 | 11 | 11 | | 10 | 10 | 11 | 11 | 10 | 10 | 10 | 11 | 9 | 9 | 9 | 10 | 8 | 8 | 9 | 9 | 8 | 8 | 9 | 9 |
| | 19 | 11 | | | | 11 | 11 | | | 11 | 11 | 11 | | 10 | 10 | 10 | 11 | 9 | 9 | 10 | 10 | 9 | 9 | 10 | 10 |

| Frame Size | | Long Frame (Camber 2° ,4°)/Center of Gravity 1"-2.5" | | | | | | | | | | | | | | | | | | | | | | | |
|------------------|------|---|--------|--------|-----|---------------------------------|--------|--------|-----|----------------|--------|--------|-----|-----------------------|--------|--------|-----|-------------------|--------|--------|-----|-------------------------|--------|--------|-----|
| Tire Size | | 24"x1"(High Pressure) | | | | 24"x1-3/8(Low-P), 25"x1(High-P) | | | | 24"x2"(Knobby) | | | | 26"x1"(High Pressure) | | | | 25"x1.95"(Knobby) | | | | 26"x1-3/8(Low-Pressure) | | | |
| Seat bucket | | 0-0.5" | 1-1.5" | 2-2.5" | 3"- | 0-0.5" | 1-1.5" | 2-2.5" | 3"- | 0-0.5" | 1-1.5" | 2-2.5" | 3"- | 0-0.5" | 1-1.5" | 2-2.5" | 3"- | 0-0.5" | 1-1.5" | 2-2.5" | 3"- | 0-0.5" | 1-1.5" | 2-2.5" | 3"- |
| Rear Seat Height | 14.5 | 1 | 2 | 2 | 2 | 1 | 1 | 1 | 2 | | | 1 | 1 | | | | | | | | | | | | |
| | 15 | 2 | 3 | 3 | 3 | 2 | 2 | 2 | 3 | 1 | 1 | 2 | 2 | | | | | | | | | | | | |
| | 15.5 | 3 | 4 | 4 | 4 | 3 | 3 | 3 | 4 | 2 | 2 | 3 | 3 | 1 | 1 | 2 | 2 | 1 | 1 | 2 | 2 | 1 | 1 | 2 | 2 |
| | 16 | 4 | 5 | 5 | 5 | 4 | 4 | 4 | 5 | 3 | 3 | 4 | 4 | 2 | 2 | 3 | 3 | 2 | 2 | 3 | 3 | 2 | 2 | 3 | 3 |
| | 16.5 | 5 | 7 | 7 | 7 | 5 | 5 | 5 | 7 | 4 | 4 | 5 | 5 | 3 | 3 | 4 | 4 | 3 | 3 | 4 | 4 | 3 | 3 | 4 | 4 |
| | 17 | 7 | 8 | 8 | 8 | 7 | 7 | 7 | 8 | 5 | 5 | 7 | 7 | 4 | 4 | 5 | 5 | 4 | 4 | 5 | 5 | 4 | 4 | 5 | 5 |
| | 17.5 | 8 | 9 | 9 | 9 | 8 | 8 | 8 | 9 | 7 | 7 | 8 | 8 | 5 | 5 | 7 | 7 | 5 | 5 | 7 | 7 | 5 | 5 | 7 | 7 |
| | 18 | 9 | 10 | 10 | 10 | 9 | 9 | 9 | 10 | 8 | 8 | 9 | 9 | 7 | 7 | 8 | 8 | 7 | 7 | 8 | 8 | 7 | 7 | 8 | 8 |
| | 18.5 | 10 | 11 | 11 | 11 | 10 | 10 | 10 | 11 | 9 | 9 | 10 | 10 | 8 | 8 | 9 | 9 | 8 | 8 | 9 | 9 | 8 | 8 | 9 | 9 |
| | 19 | 11 | | | | 11 | 11 | 11 | | 10 | 10 | 11 | 11 | 9 | 9 | 10 | 10 | 9 | 9 | 10 | 10 | 9 | 9 | 10 | 10 |

| Frame Size | | Long Frame (Camber 2° ,4°)/Center of Gravity 3"-5.5" | | | | | | | | | | | | | | | | | | | | | | | |
|------------------|------|---|--------|--------|-----|---------------------------------|--------|--------|-----|----------------|--------|--------|-----|-----------------------|--------|--------|-----|-------------------|--------|--------|-----|-------------------------|--------|--------|-----|
| Tire Size | | 24"x1"(High Pressure) | | | | 24"x1-3/8(Low-P), 25"x1(High-P) | | | | 24"x2"(Knobby) | | | | 26"x1"(High Pressure) | | | | 25"x1.95"(Knobby) | | | | 26"x1-3/8(Low-Pressure) | | | |
| Seat bucket | | 0-0.5" | 1-1.5" | 2-2.5" | 3"- | 0-0.5" | 1-1.5" | 2-2.5" | 3"- | 0-0.5" | 1-1.5" | 2-2.5" | 3"- | 0-0.5" | 1-1.5" | 2-2.5" | 3"- | 0-0.5" | 1-1.5" | 2-2.5" | 3"- | 0-0.5" | 1-1.5" | 2-2.5" | 3"- |
| Rear Seat Height | 14.5 | 1 | 2 | 2 | 3 | 1 | 1 | 1 | 1 | | | 1 | 2 | | | | | | | | | | | | |
| | 15 | 2 | 3 | 3 | 4 | 1 | 2 | 2 | 2 | 1 | 1 | 2 | 3 | | | | | | | | | | | | |
| | 15.5 | 3 | 4 | 4 | 5 | 2 | 3 | 3 | 3 | 2 | 2 | 3 | 4 | 1 | 1 | 2 | 3 | 1 | 1 | 2 | 3 | 1 | 1 | 2 | 3 |
| | 16 | 4 | 5 | 5 | 7 | 3 | 4 | 4 | 4 | 3 | 3 | 4 | 5 | 2 | 2 | 3 | 4 | 2 | 2 | 3 | 4 | 2 | 2 | 3 | 4 |
| | 16.5 | 5 | 7 | 7 | 8 | 4 | 5 | 5 | 5 | 4 | 4 | 5 | 7 | 3 | 3 | 4 | 5 | 3 | 3 | 4 | 5 | 3 | 3 | 4 | 5 |
| | 17 | 7 | 8 | 8 | 9 | 5 | 7 | 7 | 7 | 5 | 5 | 7 | 8 | 4 | 4 | 5 | 7 | 4 | 4 | 5 | 7 | 4 | 4 | 5 | 7 |
| | 17.5 | 8 | 9 | 9 | 10 | 7 | 8 | 8 | 8 | 7 | 7 | 8 | 9 | 5 | 5 | 7 | 8 | 5 | 5 | 7 | 8 | 5 | 5 | 7 | 8 |
| | 18 | 9 | 10 | 10 | 11 | 8 | 9 | 9 | 9 | 8 | 8 | 9 | 10 | 7 | 7 | 8 | 9 | 7 | 7 | 8 | 9 | 7 | 7 | 8 | 9 |
| | 18.5 | 10 | 11 | 11 | | 9 | 10 | 10 | 10 | 9 | 9 | 10 | 11 | 8 | 8 | 9 | 10 | 8 | 8 | 9 | 10 | 8 | 8 | 9 | 10 |
| | 19 | 11 | | | | 10 | 11 | 11 | 11 | 10 | 10 | 11 | | 9 | 9 | 10 | 11 | 9 | 9 | 10 | 11 | 9 | 9 | 10 | 11 |

Axle Plate Position

